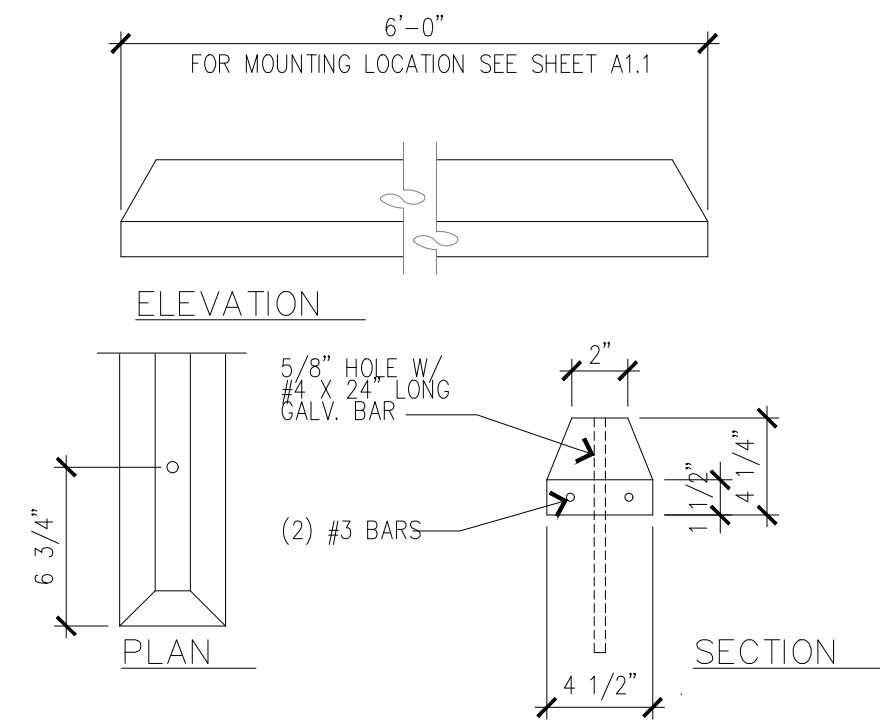


### PROJECT LOCATION

## East Pine Street

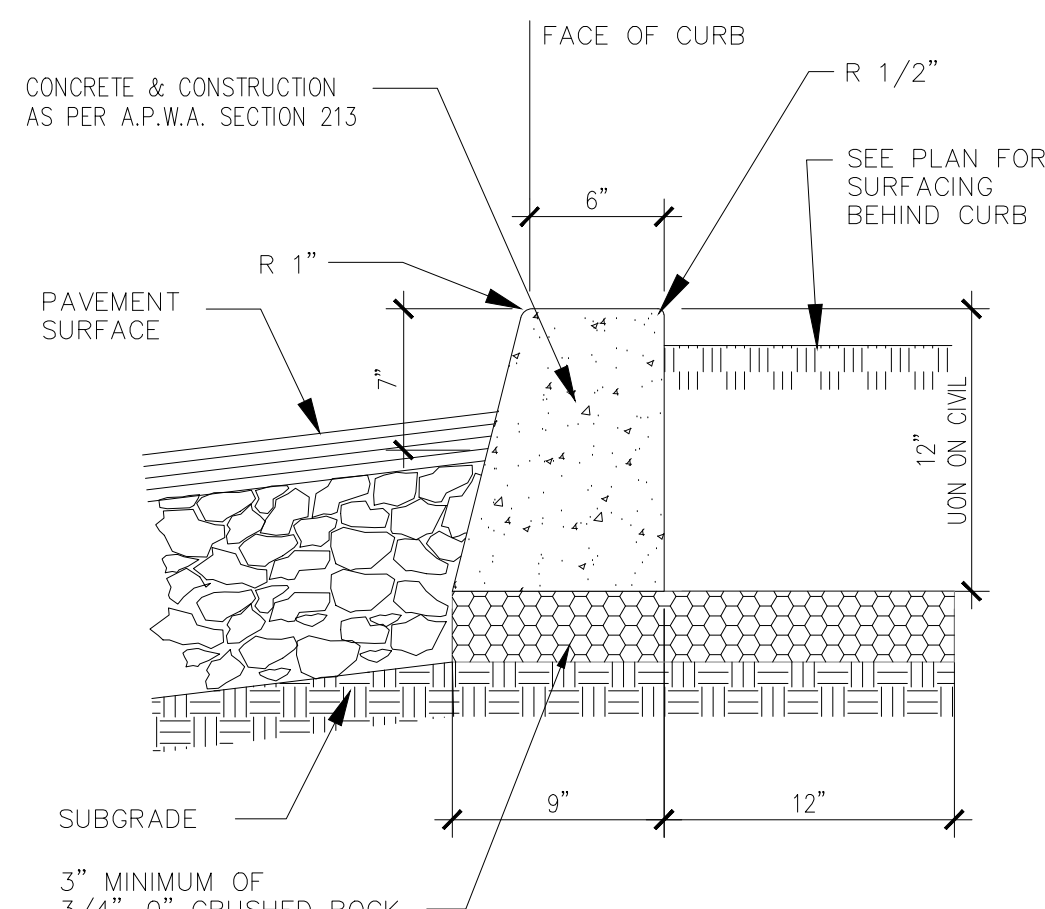
### VICINITY MAP

SCALE: NONE



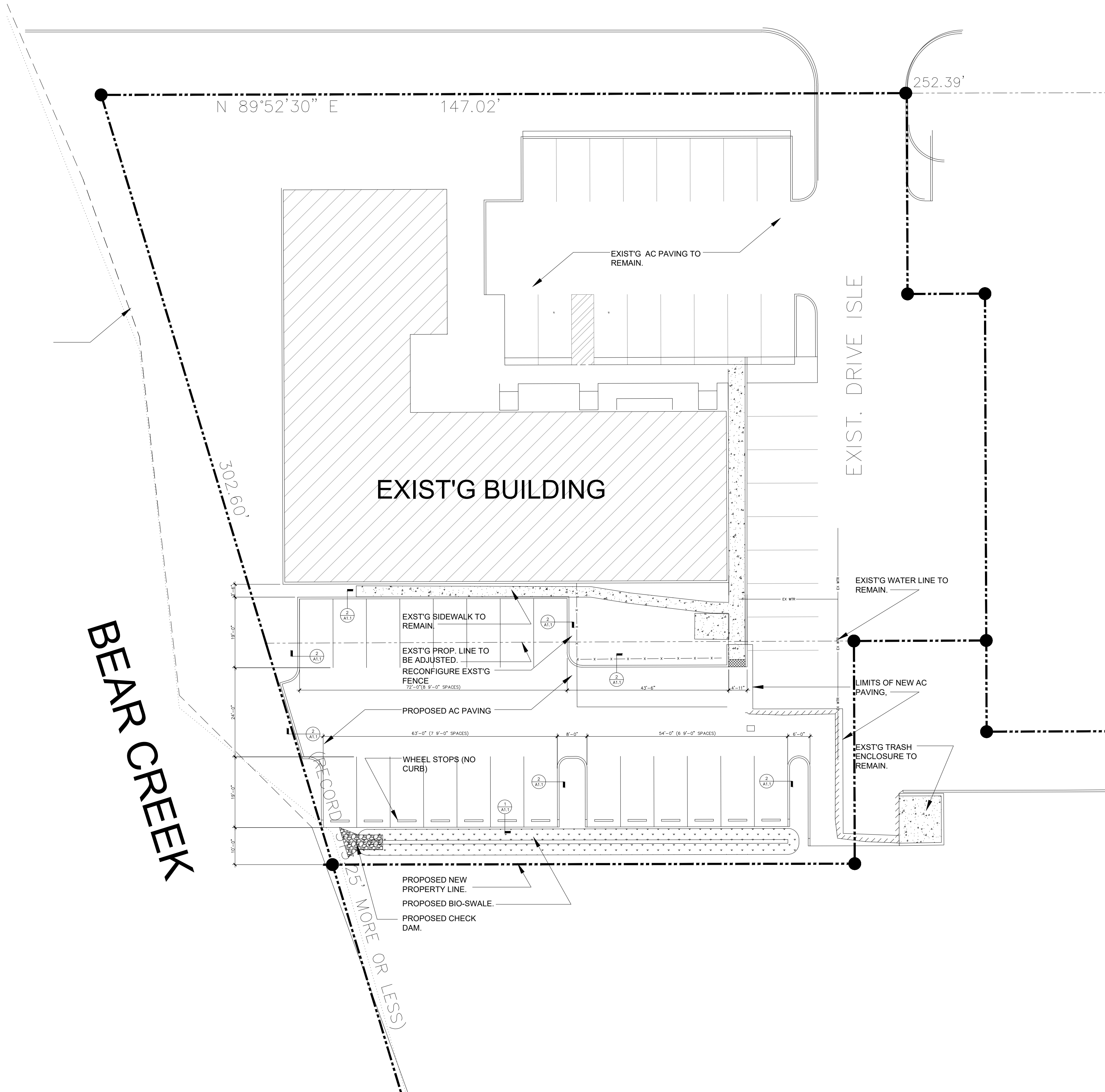
### 1 WHEEL STOP

SCALE: 1-1/2" = 1'-0"



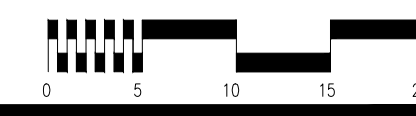
### 2 CONCRETE CURB

SCALE: 1-1/2" = 1'-0"

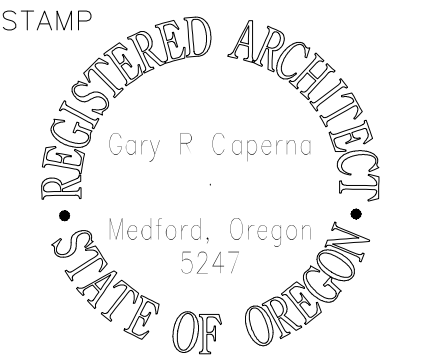


### PARTIAL SITE PLAN

SCALE: 1/8" = 1'-0"



**GARY R. CAPERNA ARCHITECT**  
 architecture planning  
 190 North Ross Lane, Medford, Oregon  
 Post Office Box 4480 97501  
 541.840.4123 Fax: 541.773.8523  
 Email: garycaperna@charter.net  
 Oregon Architect License 5247  
 Member American Institute Of Architects



THESE DOCUMENTS, THE IDEAS, & DESIGN INCORPORATED HEREIN, AS INSTRUMENTS OF PROFESSIONAL SERVICE, ARE THE PROPERTY OF GARY CAPERNA ARCHITECT, AND ARE TO BE USED ONLY AS PROVIDED IN THE CONTRACT BETWEEN HIM AND THE OWNER, AND SHALL NOT BE USED, IN WHOLE OR IN PART, FOR ANY OTHER PROJECT WITHOUT EXPRESS WRITTEN AUTHORIZATION BY GARY CAPERNA ARCHITECT. COPYRIGHT 2021 BY GARY CAPERNA ARCHITECT.

client:

## BEAR BRIDGE

1710 East Pine Street  
 Central Point, OR 97502  
 37-2W-01D tax lot 2101

PRELIMINARY - NOT FOR CONSTRUCTION - FOR REVIEW and DISCUSSION PURPOSES ONLY

BUILDING DEPARTMENT APPROVAL STAMP

MARK	DATE	DESCRIPTION

ISSUE:  
 PROJECT NO:  
 DRAWN BY: **GRC**  
 CHECKED BY:  
 SHEET TITLE: **SITE PLAN**

PLOT DATE: 2/2021 10:32 AM

# A1.1